



Powerlux Technology Co., Ltd.

φ 440 Collimators Data Sheet

Part no:

PL440-3D20
PL440-6D20

PL440-4D15
PL440-7D20

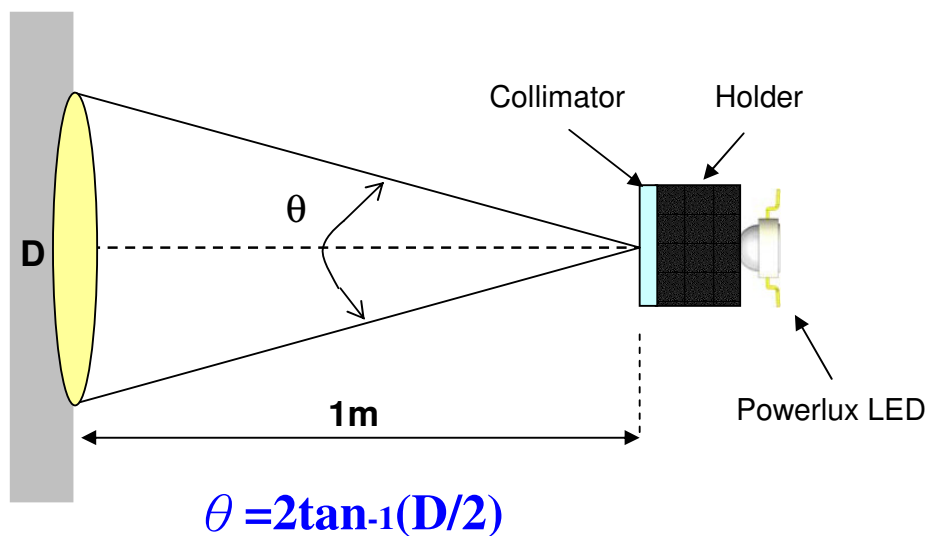
Features

- High efficiency
- Works with all Powerlux power LEDs
- Lambertian or collimated radiation pattern
- Lens with housing
- ROHS compliant

Typical Applications

- Reading lights (car, bus, aircraft)
- Portable (flashlight, bicycle)
- Decorative / Entertainment
- Sign and Channel Letter
- Indoor/Outdoor Commercial
- Down Light

Angle Measurement

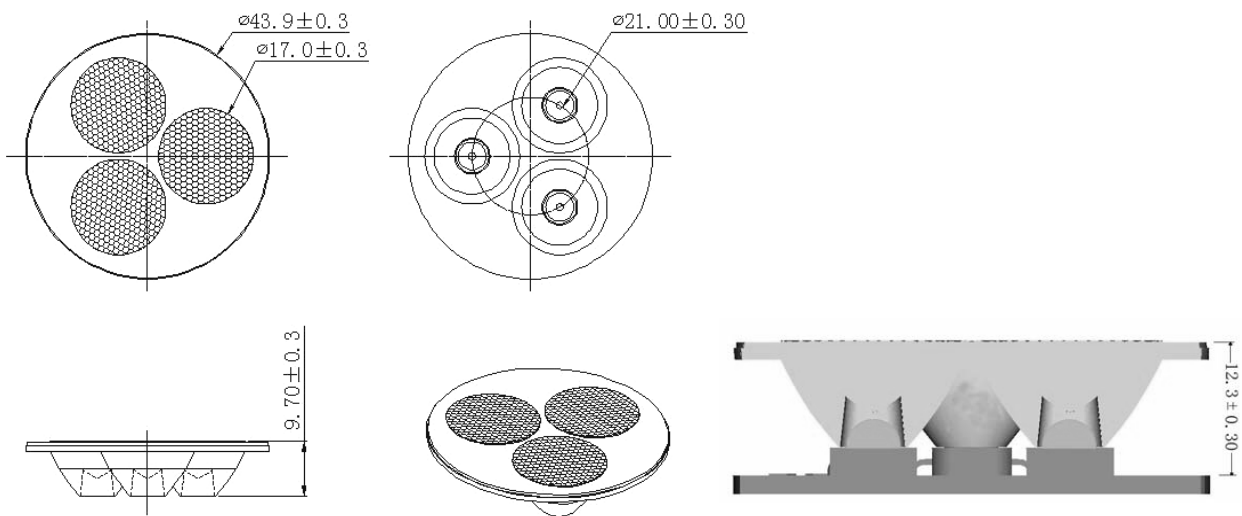


PL440-3D Series

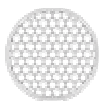


PL440-3D20

Mechanical Dimensions



Optical Specifications



Part No	Type	LED	Degree
PL440-3D20	Medium beam	Powerlux 1W,3W	17

Notes:

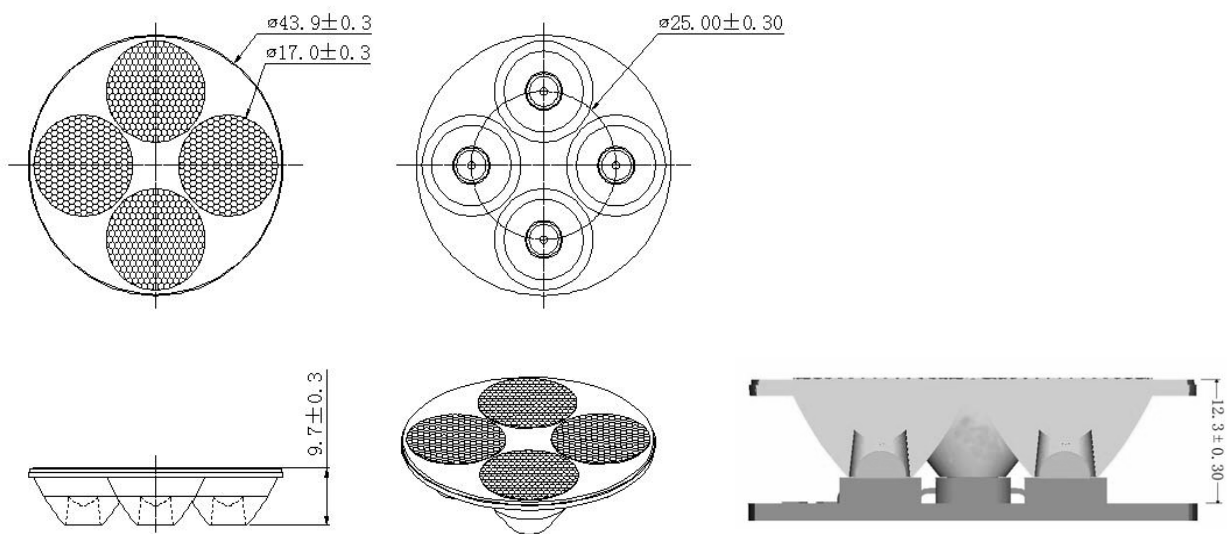
1. All dimensions are in millimeters.
2. All dimensions without tolerances are for reference only.
3. The collimator rim may be used as a snap-on feature to support the collimator.
3. The Powerlux light source must be protected from any axial or lateral loads caused by the collimator—do not clamp the collimator against the Powerlux emitter.
4. Do not subject to temperatures greater than 75°C as plastic deformation may occur. Protect collimator against exposure to solvents and adhesives that are not compatible with it.

PL440-4D Series

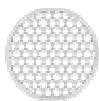


PL440-4D15

Mechanical Dimensions



Optical Specifications



Part No	Type	LED	Degree
PL440-4D15	Medium beam	Powerlux 1W,3W	13

Notes:

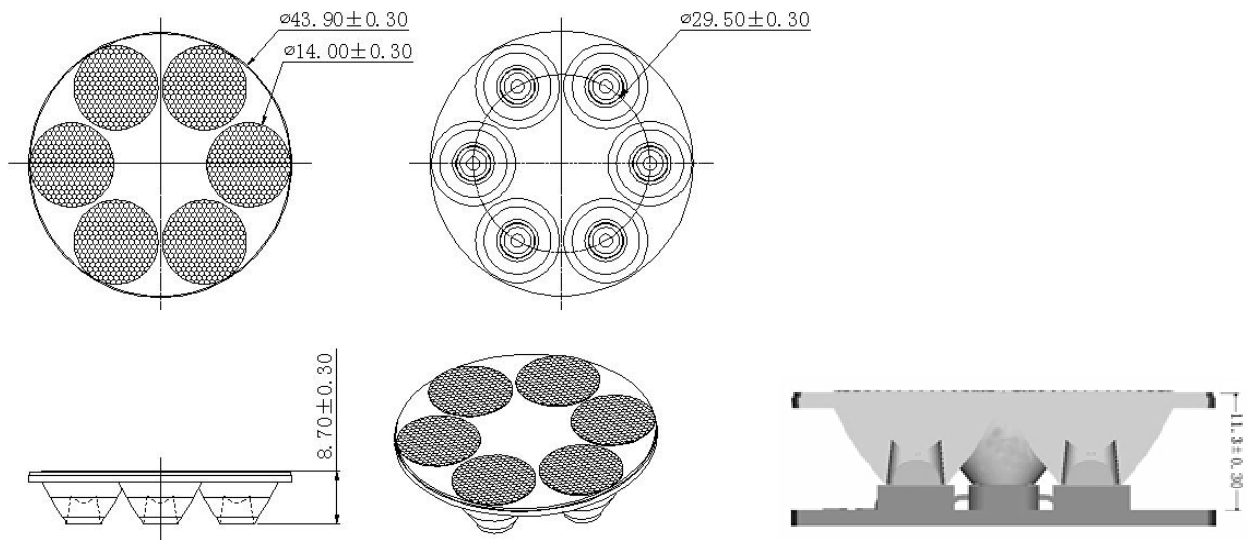
1. All dimensions are in millimeters.
2. All dimensions without tolerances are for reference only.
3. The collimator rim may be used as a snap-on feature to support the collimator.
3. The Powerlux light source must be protected from any axial or lateral loads caused by the collimator—do not clamp the collimator against the Powerlux emitter.
4. Do not subject to temperatures greater than 75°C as plastic deformation may occur. Protect collimator against exposure to solvents and adhesives that are not compatible with it.

PL440-6D Series

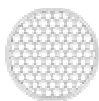


PL440-6D20

Mechanical Dimensions



Optical Specifications



Part No	Type	LED	Degree
PL440-6D20	Medium beam	Powerlux 1W,3W	17

Notes:

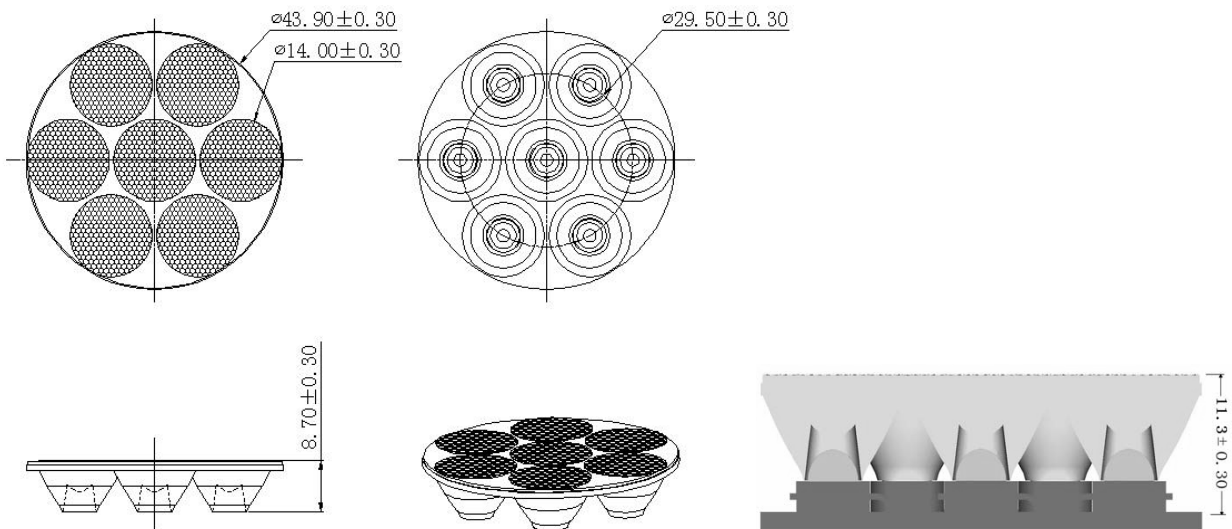
1. All dimensions are in millimeters.
2. All dimensions without tolerances are for reference only.
3. The collimator rim may be used as a snap-on feature to support the collimator.
3. The Powerlux light source must be protected from any axial or lateral loads caused by the collimator—do not clamp the collimator against the Powerlux emitter.
4. Do not subject to temperatures greater than 75°C as plastic deformation may occur. Protect collimator against exposure to solvents and adhesives that are not compatible with it.

PL440-7D Series



PL440-7D20

Mechanical Dimensions



Optical Specifications



Part No	Type	LED	Degree
PL440-7D20	Medium beam	Powerlux 1W,3W	17

Notes:

1. All dimensions are in millimeters.
2. All dimensions without tolerances are for reference only.
3. The collimator rim may be used as a snap-on feature to support the collimator.
3. The Powerlux light source must be protected from any axial or lateral loads caused by the collimator—do not clamp the collimator against the Powerlux emitter.
4. Do not subject to temperatures greater than 75°C as plastic deformation may occur. Protect collimator against exposure to solvents and adhesives that are not compatible with it.